

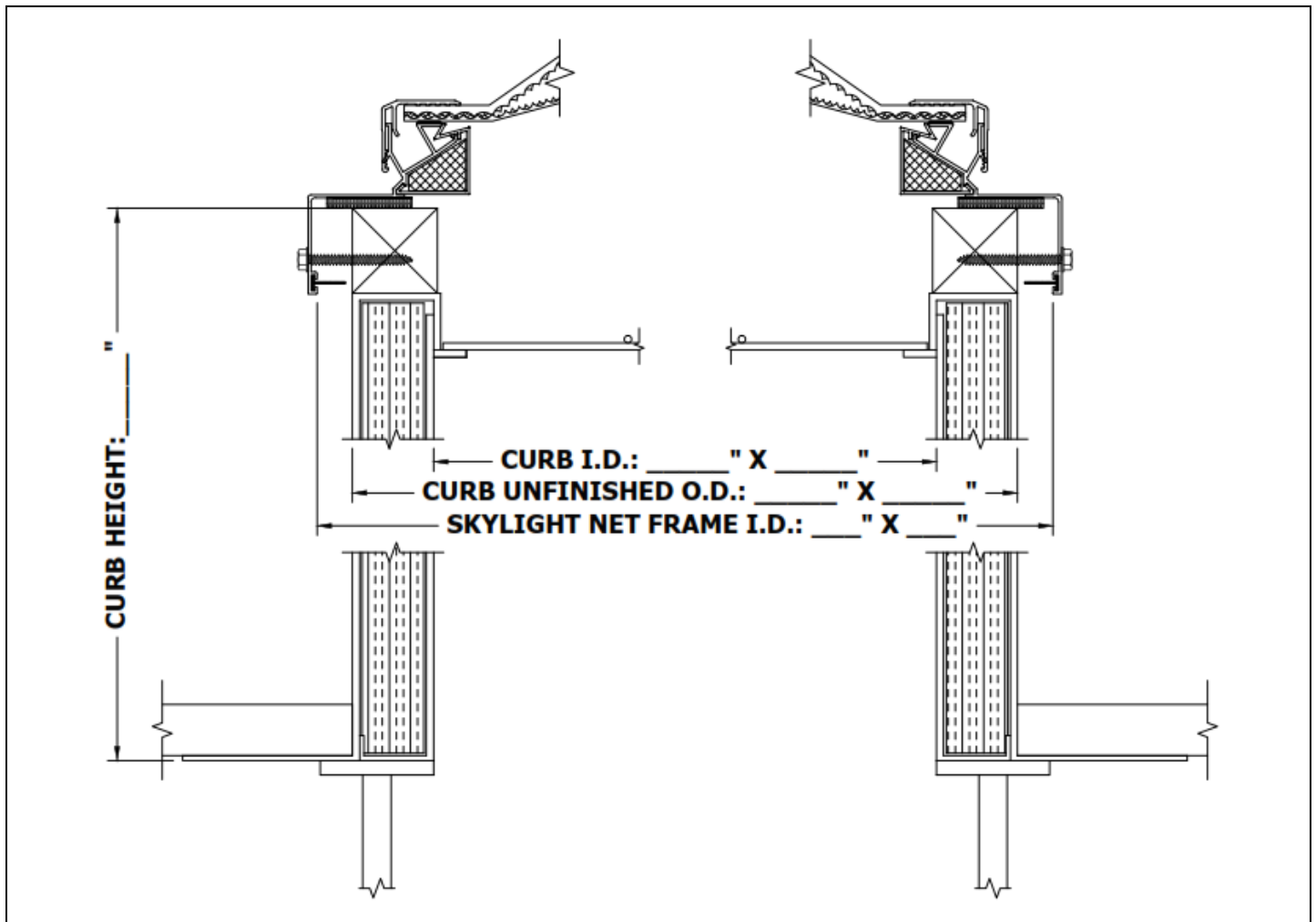
Existing Curb and Skylight Measuring Guidelines:

- Custom skylights can be made to fit existing curbs
- The critical dimension for proper installation is the existing Curb Outside Dimension (COD)
- This dimension must include any flashing or other material attached to the curb
- For proper fit, the skylight will typically be made one inch larger than the existing curb dimension. This allows for expansion and contraction and ease of installation
- Be sure to verify all curbs on the roof are the same dimension
- Curb Inside Dimension (CID) will also be required if the project has safety screens attached to the top of the curb
- The existing curb height will be needed if the curbs are being replaced or added

Why do we need to know?

For proper fabrication and fit we must know the existing roof curb dimensions. This can be best accomplished from the roof, by removing the skylight from the curb. The Curb Outside Dimension (COD) is a critical piece of information for the ordering process. This will be the dimension of the unit that will be the base for the skylight or smoke vent. Compare this to a shoe box and the lid for the shoe box. The COD would be the dimension of the shoe box that must fit inside the Net Frame Inside Dimension (NFID) of the skylight or lid of the shoe box. Please see the Terminology section of our website for more details. <http://www.logisticslighting.com/terminology/>

Any questions, just give us a call, toll free 844-4LL-SAVE or 307-633-9696



We Are Skylight Experts.®

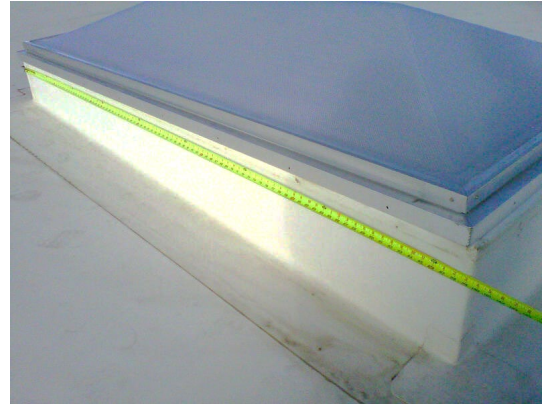
Logistics Lighting, LLC, 109 East 17th Street, Cheyenne, Wyoming 82001

Phone: (307) 633-9696 • Fax: (307) 633-9697 • Sales@LogisticsLighting.com • Toll Free: 844-455-7283

Typical Curb Mount Skylight



Measure Curb Outside Dimensions – NOT skylight frame



How to measure curb height



Remove skylight, or measure curb only, not skylight frame



Incorrect measurement will create a gap between the curb and the skylight frame



Photo of incorrectly measured custom skylight

